

Edgeboard



Edgeboard

Edge protection

Highly Sustainable

Made from 100% recycled materials and are fully recyclable

Innovative Design

Lightweight construction provides superior strength properties with less material

Application Versatility

Resistance to humidity and moisture enables use for a wide variety of products and environments

Reliable Performance

Protects products throughout the transportation cycle

Edgeboard

Edge protection



Edgeboard, a blend of recycled paper and plastic, helps prevent product damage that can occur during shipping and handling. With an innovative design unique to the industry, it provides exceptional strength, enabling customers to reduce their packaging requirements without sacrificing performance.

Features and benefits

■ Reduces costs

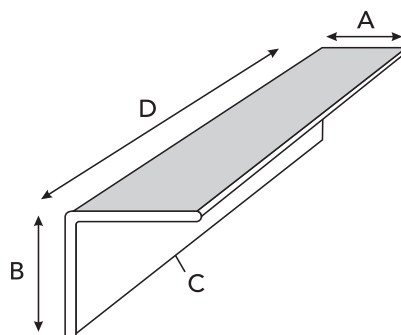
With an innovative design that ensures strength and durability, Edgeboard is manufactured with a thinner gauge than conventional paper products to help decrease material costs. In addition, it enables more pieces per pallet to reduce freight and storage costs.

■ Product versatility

Edgeboard is moisture-resistant, making it ideal for perishable applications, outdoor conditions or where humidity or condensation occurs. It easily accepts nails, staples and screws when product stability must be enhanced with ancillary components.

■ Application-specific solutions

Edgeboard can be tailored to suit different product applications, including custom printing, allowing branding, product identification and point-of-sale merchandising.



Edgeboard Technical Specifications

Size	Leg Length (A)	Leg Length (B)	Thickness (C)	Compression Strength	Strapping Strength
	(mm)	(mm)	(mm)	(N)	(N)
35 x 35 x 3.0	35	35	3.0	1050	420
50 x 50 x 3.0	50	50	3.0	1500	600
50 x 50 x 4.0	50	50	4.0	2000	800
50 x 50 x 5.0	50	50	5.0	2500	1000
50 x 50 x 7.0	50	50	7.0	3500	1400
60 x 60 x 4.0	60	60	4.0	2400	960
60 x 60 x 5.0	60	60	5.0	3000	1200
75 x 60 x 3.0	75	60	3.0	2025	810
75x 75 x 4.0	75	75	4.0	3000	1200
75 x 75 x 5.0	75	75	5.0	3750	1500
75 x 75 x 6.0	75	75	6.0	5400	1800
75 x 75 x 7.5	75	75	7.5	5625	2475

1. Tolerances: Leg Length +/- 3mm, Thickness +/- 0.4mm, Angle 90° +/- 10°, Straight Length +/- 3mm, ID/OD Length +/- 10mm
 2. Compression Strength: Measured on 100 mm piece, Strapping Strength: Measured on 300 mm piece