

# Jumbo Corner



## Jumbo Corner

### Edge protection

#### **Increases Productivity**

Easy, time-saving application

#### **Application Versatility**

Customizable sizes and coatings to meet individual product requirements

#### **Reduces Damage**

Prevents product damage during shipping and handling

#### **Highly Sustainable**

Manufactured with 100% recyclable material and is easily disposable

# Jumbo Corner

## Edge protection



Jumbo Corner laminated paperboard packaging provides superior edge protection to prevent product damage that can occur during shipping and handling. With a preformed 90-degree angle that provides remarkable strength, Jumbo Corner can be used for a wide range of applications, including corner protection, load stabilization and unitization and to increase stacking strength.

### Features and benefits

#### ■ Product versatility

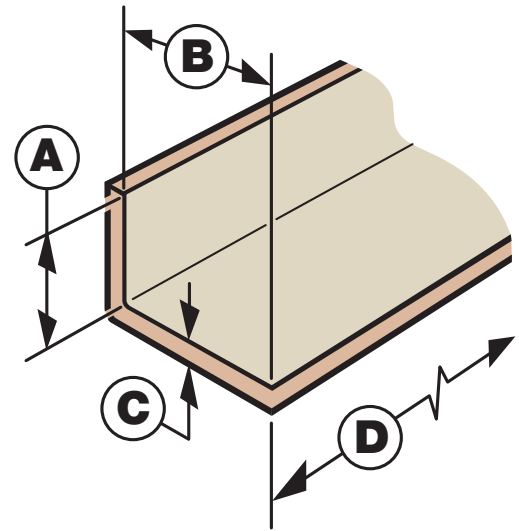
Jumbo Corner couples exceptional beam strength with a smooth surface and non-abrasive interior, making it safe for the most delicate products and durable enough for the bulkiest.

#### ■ Customized solutions

Available in a standard white clay coat or custom finishes, Jumbo Corner can also be treated with protective coatings to provide moisture resistance and corrosion protection, ensuring maximum product protection throughout the transportation cycle.

#### ■ Enables product marketing

Jumbo Corner can be printed, allowing branding, product identification and point-of-sale merchandising.



### Jumbo Corner Technical Specifications

| Size               | Leg A | Leg B | Thickness C | Compression Strength |
|--------------------|-------|-------|-------------|----------------------|
|                    | (mm)  | (mm)  | (mm)        | (N)                  |
| AB 160 x 100 x 5   | 160   | 100   | 5           | 1550                 |
| AB 200 X 125 X 4.5 | 200   | 125   | 4.5         | 1750                 |
| AB 300 X 125 X 5   | 300   | 125   | 5           | 2530                 |
| AB 300 X 150 X 5   | 300   | 150   | 5           | 2740                 |

1. Tolerance: Leg Length  $\pm 10.0\text{mm}$ , Thickness  $\pm 0.5\text{mm}$ ; Cut Length  $\pm 5\text{mm}$ , Leg Angle:  $\pm 10^\circ$   
 2. Length D – Up to 6 metres.

The company reserves the right to make technical alterations without prior notification.  
 © 2020 Signode Industrial Group LLC / SIG-115 REV 200210 / [www.Signode.com](http://www.Signode.com)  
 For any queries, please contact us at [info.india@signode.com](mailto:info.india@signode.com)